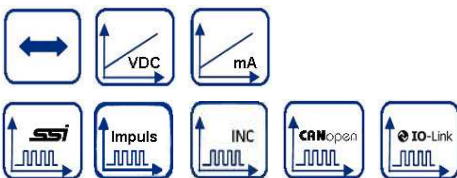
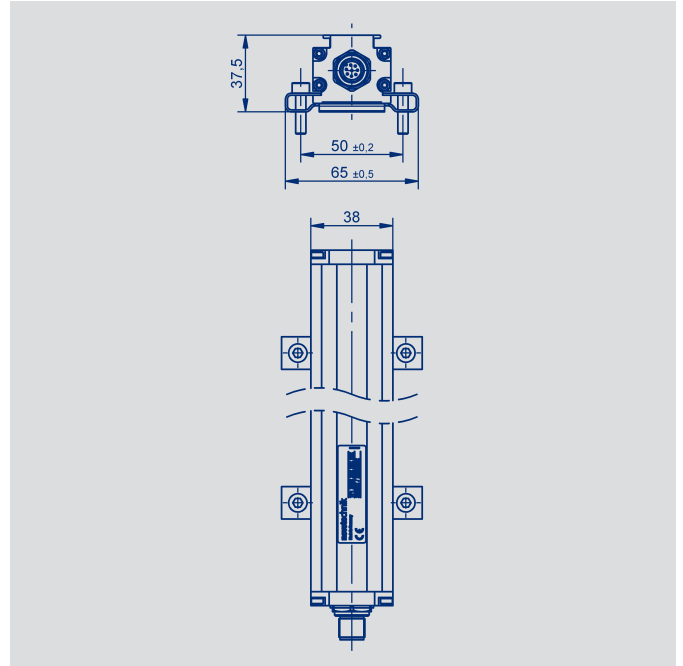


NOVOSTRICTIVE
Transducer
up to 4250 mm
touchless

Series TP1



Special features

- Non-contacting magnetostrictive measurement technology
- Touchless position detection
- Wear-free, unlimited mechanical life
- Resolution up to 1 μm , independently of length
- Low temperature coefficient <15 ppm/K
- Insensitive to shock and vibration
- Protection class IP67 / IP68
- Position-Teach-In
- Optionally galvanic isolated
- Interfaces: Analog, SSI, Impulse, Incremental, CANopen, IO-Link

Applications

- Manufacturing Engineering
 - Plastic injection molding
 - Textile
 - Packaging
 - Sheet metal working
 - Woodwork
- Automation Technology

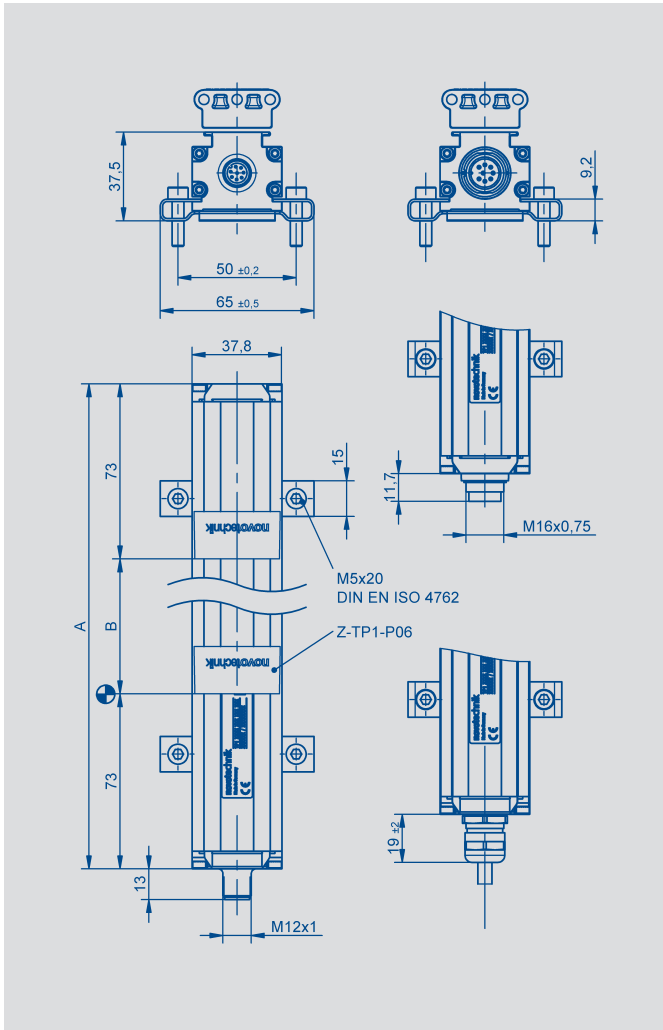
Transducer in profile design with magnetostrictive technology for highly accurate and reproducible position measurement for lengths up to 4250 mm. Mechanically decoupled and therefore wear-free when the floating position marker is used.

The transducer TP1 is insensitive to dirt, dust or moisture and thus proves itself in harsh industrial environments. Depending on the interface, up to three positions and speed can be measured.

Contents

Mechanical Data	3
Analog Versions	
Technical Data	4
Ordering Specifications	5
Digitale Versions	
SSI	6
Impulse	7
Incremental	8
Ordering Specifications	9
Fieldbus, IO-Link Versions	
CANopen	10
IO-Link	11
Ordering Specifications	12
Accessories	
Position Marker	13
M12 Connector System	14
M16 Connector System	17

Mechanical Data



Description	
Materials	Housing: Anodized aluminum, AlMgSi0,5 F22, 3.3206.71 End flanges: Aluminum G AISi12Cu1 (FE)
Mounting	Adjustable clamps (included in delivery)
Position marker	Floating position marker, plastic Guided position marker, plastic, with ball coupling
Electrical connections	Connector M12x1, 4-pin / 5-pin / 8-pin, shielded Connector M16x0.75 (IEC 130-9), 6-pin / 8-pin, shielded PUR-cable, 8 x 0.25 mm ² , shielded: 1 m, 3 m oder 5 m length
Electronic	SMD with ASIC, integrated Connector casing (shield) is connected to the sensor housing. Housing is capacitively decoupled to the electronics

Mechanical Data	
Dimensions	see dimension drawing
Length of housing (dimension A)	Dimension B + 146 mm
Electrical measuring range (dimension B)	0050 up to 0500 mm in 25 mm steps, 500 up to 1000 mm in 50 mm steps, 1000 up to 2000 mm in 100 mm steps, 2000 up to 4250 mm in 250 mm steps other lengths on request
Max. operational speed with valid output signal	10 ms ⁻¹
Max. operational acceleration with valid output signal	200 ms ⁻²
Shock (IEC 60068-2-27)	100 (11 ms) (single hit) g
Vibration (IEC 60068-2-6)	20 (5...2000 Hz, Amax = 0.75 mm) g
Protection class (DIN EN 60529)	IP67 with fastened connector IP68 with cable connection
Life	Mechanically unlimited (with floating position marker)
Operating temperature range	-40 ... +85 °C
Storage temperature range	-40 ... +105 °C
Operating humidity range	0 ... 95 (no condensation) % R.H.

CAD data see
www.novotechnik.de/en/download/cad-data/

Technical Data Analog Versions

Type designations	TP1- _ _ _ _ -101 - 41 _ - _ _ _	TP1- _ _ _ _ -101 - 42 _ - _ _ _
	Voltage	Current
Electrical Data		
Electrical measuring range (dimension B)	0050 up to 4250	mm
Output signal	0.1 ... 10 V (load \geq 5 k Ω) -10 ... 10 V (load \geq 5 k Ω)	0.1 ... 20 mA (burden \leq 500 Ω) 4 ... 20 mA (burden \leq 500 Ω)
Number of channels	2	1
Update rate	\leq 16 *	kHz
Resolution	16	bit
Absolute linearity	$\leq \pm$ 0.02 (min. \pm 50 μ m) **	% FS
Tolerance of electr. zero point	\pm 0.5 (min. 2 x reproducibility)	mm
Reproducibility	\leq 0.03	% FS
Hysteresis	\leq 0.01	% FS
Temperature error	\leq 30 (min. 0.01 mm/K)	ppm/K
Supply voltage	24 (19 ... 30)	VDC
Supply voltage with galvanic isolation	24 (18 ... 36)	VDC
Supply voltage ripple	\leq 10	% V _{ss}
Current consumption	\leq 100	mA
Overvoltage protection	40 (temporary / 1 min.)	VDC
Polarity protection	Yes, up to supply voltage max	VDC
Short circuit protection	Yes (outputs vs.GND and supply voltage max.)	
Insulation resistance (500 VDC)	\geq 10	M Ω
Environmental Data		
MTTF (DIN EN ISO 13849-1 parts count method, w/o load, wc)	23	Years
Functional safety	If you need assistance in using our products in safety-related systems, please contact us	
EMC compatibility	EN 61000-4-2 Electrostatic discharges (ESD) 4 kV, 8 kV EN 61000-4-3 Electromagnetic fields 10 V/m EN 61000-4-4 Electrical fast transients (burst) 2 kV EN 61000-4-6 Conducted disturbances, induced by RF-fields 10 V eff. EN 55011 Radiated disturbances class B	

*) Data are extrapolated, internal measuring rate depends on measuring length.
**) Valid for channel 1; channel 2 with additional offset and gradient tolerances (inverted signal from channel 1).
Measured with position marker Z-TP1-P06.



Pin assignment

Connector code 101, 102	Cable code 20_	Connector with cable (Accessories)	Analog voltage	Analog current
Pin 1	YE	WH	do not connect	0(4)...20 mA
Pin 2	GY	BN	Signal GND	Signal GND
Pin 3	PK	GN	+10...0 (-10) V	do not connect
Pin 4	RD	YE	DIAG ***	DIAG ***
Pin 5	GN	GY	0 (-10)...+10 V	do not connect
Pin 6	BU	PK	GND	GND
Pin 7	BN	BU	Supply voltage	Supply voltage
Pin 8	WH	RD	PROG ***	PROG ***

***) connect only for Teach-In-function (see manual).

Connector code 103	Connector with cable (Accessories)	Analog voltage	Analog current
Pin 1	WH	0 (-10)...+10 V	0 (4)...20 mA
Pin 2	BN	Signal GND	Signal GND
Pin 3	BU	+10...0 (-10) V	do not connect
Pin 4	BK	GND	GND
Pin 5	GY	Supply voltage	Supply voltage
Pin 6	GN	GND	GND

Ordering Specifications
Analog Versions
- Voltage
- Current

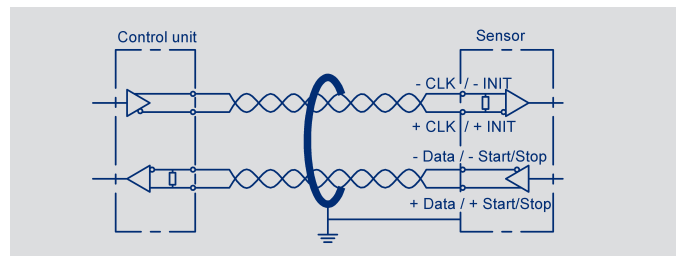
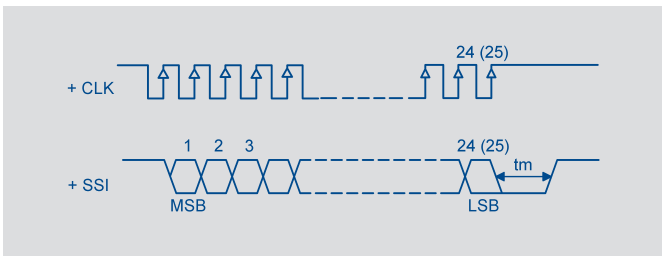
<p>Ordering specifications Preferred types printed in bold</p>	<p>Mechanical version 101: Profile design</p>	<p>Electrical interface 4: Analog interface</p>	<p>Output signal analog interfaces 4 _ _ 1: Voltage output 2: Current output</p> <p>Analog interface voltage output 41_ 1: 0 ... 10 V and 10 ... 0 V * 4: 0 ... 10 V and 10 ... 0 V galvanic isolated 6: -10 ... +10 V and +10 ... -10 V galvanic isolated</p> <p>Analog interface current output 42_ 1: 0 ... 20 mA * 2: 20 ... 0 mA * 3: 4 ... 20 mA * 4: 20 ... 4 mA * *) With Teach-In-function</p> <p>Electrical connection 101: Connector M16x0.75 (IEC 130-9), 8-pin 102: Connector M12x1, 8-pin 103: Connector M16x0.75 (IEC 130-9), 6-pin 201: Cable, 8-pole, shielded, 1 m 203: Cable, 8-pole, shielded, 3 m 205: Cable, 8-pole, shielded, 5 m</p>
<p>T P 1 - 0 8 0 0 - 1 0 1 - 4 1 1 - 1 0 2</p>			
<p>Series</p>	<p>Electrical measuring range Standard lengths 0050 up to 4250 mm 0050 up to 0500 mm in 25 mm-steps, 0500 up to 1000 mm in 50 mm-steps, 1000 up to 2000 mm in 100 mm-steps, 2000 up to 4250 mm in 250 mm-steps. Other lengths on request</p>		

Important: Avoid equalizing currents in the cable shield caused by potential differences.
Twisted pair cable (STP) is recommended.

Technical Data SSI-Interface

Type designations	TP1 - _ _ _ _ - 101 - 2 _ _ _ _ Synchronous-serial interface (SSI)	
Electrical Data		
Electrical measuring range (dimension B)	0050 up to 4250	mm
Protocol	SSI 24 und 25 bit (26 bit on request)	
Inputs	RS422	
Monoflop time (tm)	30	µs
Encoding	Gray, Binary	
Update rate	16 *	kHz
Resolution (LSB)	1, 5 or 10 (Other resolutions on request)	µm
Absolute linearity **	$< 250 \text{ mm} \leq \pm 25 \text{ } \mu\text{m}$ $< 750 \text{ mm} \leq \pm 30 \text{ } \mu\text{m}$ $< 1000 \text{ mm} \leq \pm 50 \text{ } \mu\text{m}$ $< 2500 \text{ mm} \leq \pm 80 \text{ } \mu\text{m}$ up to 4250 mm $\leq \pm 120 \text{ } \mu\text{m}$	
Tolerance of electr. zero point	± 0.5	mm
Reproducibility (rounded to LSB)	≤ 6	µm
Hysteresis (rounded to LSB)	≤ 4	µm
Temperature error	≤ 15 (min. 0.01 mm/K)	ppm/K
Supply voltage	24 (13 ... 34)	VDC
Supply voltage ripple	≤ 10	% Vss
Overvoltage protection	40 (permanent)	VDC
Current consumption	≤ 100	mA
Polarity protection	Yes, up to supply voltage max.	
Short circuit protection	Yes (outputs vs. GND and supply voltage up to 7 V)	
Ohmic load at outputs	> 120	Ω
Max. clock rate	2	MHz
Insulation resistance (500 VDC)	≥ 10	MΩ
Environmental Data		
MTTF (DIN EN ISO 13849-1, parts count method, w/o load, wc)	27	Years
Functional safety	If you need assistance in using our products in safety-related systems, please contact us	
EMC compatibility	EN 61000-4-2 Electrostatic discharges (ESD) 4 kV, 8 kV EN 61000-4-3 Electromagnetic fields 10 V/m EN 61000-4-4 Electrical fast transients (burst) 2 kV EN 61000-4-6 Conducted disturbances, induced by RF-fields 10 V eff. EN 55011 Radiated disturbances class B	

*) Data are extrapolated, internal measuring rate depends on measuring length.
**) Measured with resolution 1 µm.
At resolution $> 1 \text{ } \mu\text{m}$ the permissible linearity error is increased by the resolution.



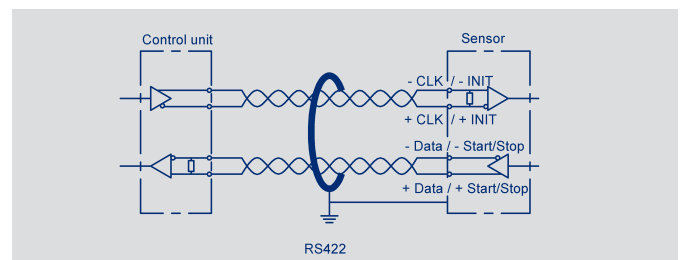
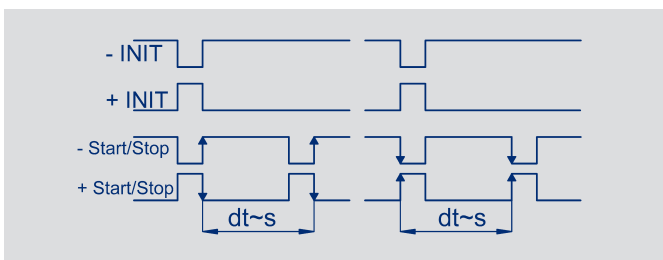
Pin assignment

Connector code 101, 102	Cable code 20 _	Connector with cable (Accessories)	SSI Interface
Pin 1	YE	WH	Clk +
Pin 2	GY	BN	Data +
Pin 3	PK	GN	Clk -
Pin 4	RD	YE	do not connect
Pin 5	GN	GY	Data -
Pin 6	BU	PK	GND
Pin 7	BN	BU	Supply voltage
Pin 8	WH	RD	do not connect

Connector code 103	Connector with cable (Accessories)	SSI Interface
Pin 1	WH	Data -
Pin 2	BN	Data +
Pin 3	BU	Clk +
Pin 4	BK	Clk -
Pin 5	GY	Supply voltage
Pin 6	GN	GND

Technical Data Impulse-Interface

Type designations	TP1- _ _ _ _ - 101 - 11 _ - _ _ _ Start-Stop-Impulse-Interface	
Electrical Data		
Electrical measuring range (dimension B)	0050 up to 4250	mm
Number of position markers	1 up to 3	
Protocol	Impulse	
Inputs	RS422	
Update rate	0.25 ... 1 (internal measuring rate depends on measuring length)	kHz
Resolution	Depending on interpretation, normalized to 2800 ms ⁻¹	
Absolute linearity	< 1000 mm ≤ ±50 μm < 2500 mm ≤ ±80 μm up to 4250 mm ≤ ±120 μm	μm
Tolerance of electr. zero point	± 0.5	mm
Reproducibility	≤ 6	μm
Hysteresis	≤ 4	μm
Temperature error	≤ 15 (min. 0,01 mm/K)	ppm/K
Supply voltage	24 (13 ... 34)	VDC
Supply voltage ripple	≤ 10	% V _{ss}
Overvoltage protection	40 (permanent)	VDC
Current consumption	≤ 100	mA
Polarity protection	Yes, up to supply voltage max.	
Short circuit protection	Yes (outputs vs. GND and supply voltage up to 7 V)	
Insulation resistance (500 VDC)	≥ 10	MΩ
Environmental Data		
MTTF (DIN EN ISO 13849-1, parts count method, w/o load, wc)	27	Years
Functional safety	If you need assistance in using our products in safety-related systems, please contact us	
EMC compatibility	EN 61000-4-2 Electrostatic discharges (ESD) 4 kV, 8 kV EN 61000-4-3 Electromagnetic fields 10 V/m EN 61000-4-4 Electrical fast transients (burst) 2 kV EN 61000-4-6 Conducted disturbances, induced by RF-fields 10 V eff. EN 55011 Radiated disturbances class B	



Pin assignment

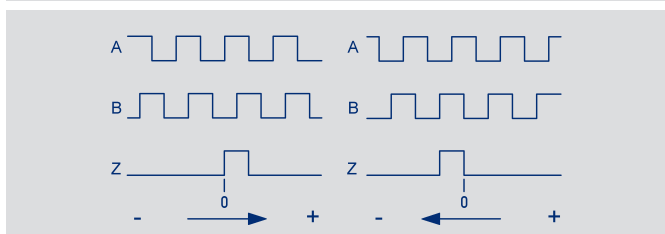
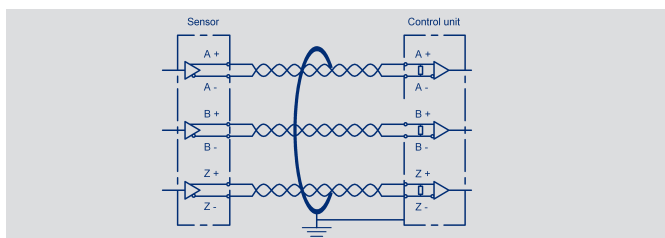
Connector code 101, 102	Cable code 20 _	Connector with cable (Accessories)	Start/Stop-Impulse-Interface
Pin 1	YE	WH	INIT +
Pin 2	GY	BN	Start/Stop +
Pin 3	PK	GN	INIT -
Pin 4	RD	YE	do not connect
Pin 5	GN	GY	Start/Stop -
Pin 6	BU	PK	GND
Pin 7	BN	BU	Supply voltage
Pin 8	WH	RD	do not connect

Connector code 103	Connector with cable (Accessories)	Start/Stop-Impulse-Interface
Pin 1	WH	Start/Stop -
Pin 2	BN	Start/Stop +
Pin 3	BU	INIT +
Pin 4	BK	INIT -
Pin 5	GY	Supply voltage
Pin 6	GN	GND

Technical Data Incremental- Interface

Type designations	TP1- _ _ _ _ - 101 - 8 _ _ _ _ Incremental-Interface	
Electrical Data		
Electrical measuring range (dimension B)	0050 up to 4250	mm
Outputs	A+ / A- / B+ / B- / Z+ / Z-	
Level	RS422 differential	
Update rate	16 *	kHz
Resolution (with 4-fold interpretation)	1 or 5	µm
Max. pulse frequency at power-on (initialising)	156 high speed mode 78 low speed mode	kHz kHz
Frequency A/B-signal	Variable, depending on operational speed, max. 148	kHz
Missing increments when exceeding the max. operational speed	none	
Length Z-pulse	Distance between 2 edges A / B	
Absolute linearity **	< 250 mm ≤ ±25 µm < 750 mm ≤ ±30 µm < 1000 mm ≤ ±50 µm < 2500 mm ≤ ±80 µm up to 4250 mm ≤ ±120 µm	
Tolerance of electr. zero point	±0,5	mm
Reproducibility	≤ 6	µm
Hysteresis	≤ 4	µm
Temperature error	≤ 15 (min. 0.01 mm/K)	ppm/K
Supply voltage	24 (13 ... 34)	VDC
Supply voltage ripple	≤ 10	% V _{ss}
Current consumption	≤ 100	mA
Overvoltage protection	40 (permanent)	VDC
Polarity protection	Yes, up to supply voltage max.	
Short circuit protection	Yes (outputs vs. GND and supply voltage up to 7 V)	
Ohmic load at outputs	≥ 120	Ω
Insulation resistance (500 VDC)	≥ 10	MΩ
Environmental Data		
Max. operating speed ***	Resolution 1 µm	Resolution 5 µm
High speed mode	0.45	2.2
Low speed mode	0.22	1.1
		ms ⁻¹
MTTF (DIN EN ISO 13849-1, parts count method, w/o load, wc)	27	Years
Functional safety	If you need assistance in using our products in safety-related systems, please contact us	
EMC compatibility	EN 61000-4-2 Electrostatic discharges (ESD) 4 kV, 8 kV EN 61000-4-3 Electromagnetic fields 10 V/m EN 61000-4-4 Electrical fast transients (burst) 2 kV EN 61000-4-6 Conducted disturbances, induced by RF-fields 10 V eff. EN 55011 Radiated disturbances class B	

*) Data are extrapolated, internal measuring rate depends on measuring length.
**) Measured with resolution 1 µm.
At resolution > 1 µm the permissible linearity error is increased by the resolution.
***) With valid output signal, when using a floating position marker.



Pin assignment

Connector code 102	Cable code 20 _	Connector with cable (Accessories)	Incremental Interface
Pin 1	YE	WH	A+
Pin 2	GY	BN	B+
Pin 3	GN	GN	B-
Pin 4	WH	YE	Z+
Pin 5	RD	GY	Z-
Pin 6	BU	PK	GND
Pin 7	BN	BU	Supply voltage
Pin 8	PK	RD	A-

**Ordering
Specifications
Digital Versions
- SSI
- Start-Stop-Impulse
- Incremental**

Ordering specifications

Preferred types printed in bold

Mechanical version

101: Profile design

Electrical Interface

- 1: Impulse-Interface**
- 2: SSI-Interface**
- 8: Incremental-Interface (A / B / Z)**

Output signal Impulse-Interface 1 _ _
1: Impulse-Interface Start-Stop Signal

Output signal SSI-Interface 2 _ _
1: SSI 24 bit
2: SSI 25 bit
7: SSI 26 bit (25 = alarm, 26 = parity even) on request

Output signal Incremental-Interface 8 _ _
4: Resolution 5 µm, high speed mode, power-on burst
6: Resolution 1 µm, high speed mode, power-on burst
7: Resolution 5 µm, low speed mode, power-on burst
9: Resolution 1 µm, low speed mode, power-on burst

Impulse-Interface Start-Stop Signal 11 _
1: For 1 position marker
2: For 2 position markers
3: For 3 position markers

Synchronous-Serial Interface 2 _ _
1: Binary code; resolution 5 µm
2: Gray code; resolution 5 µm
4: Binary code; resolution 1 µm
5: Gray code; resolution 1 µm
7: Binary code; resolution 10 µm
8: Gray code; resolution 10 µm

Incremental-Interface 8 _ _
1: RS422 differential (A / B / Z)

Electrical connection

- 101: Connector M16x0.75 (IEC 130-9), 8-pin *
- 102: Connector M12x1, 8-pin**
- 103: Connector M16x0.75 (IEC 130-9), 6-pin *
- 201: Cable, 8-pole, shielded, 1 m**
- 203: Cable, 8-pole, shielded, 3 m
- 205: Cable, 8-pole, shielded, 5 m
- *) not for incremental interface

T P 1 - 0 8 0 0 - 1 0 1 - 2 1 1 - 1 0 2

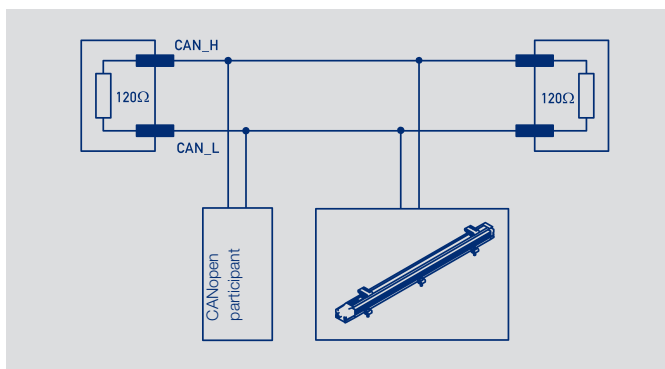
Series

Electrical measuring range
Standard lengths 0050 up to 4250 mm
0050 up to 0500 mm in 25 mm-steps, 0500 up to 1000 mm in 50 mm-steps,
1000 up to 2000 mm in 100 mm-steps, 2000 up to 4250 mm in 250 mm-steps.
Other lengths on request

Important: Avoid equalizing currents in the cable shield caused by potential differences.
Twisted pair cable (STP) is recommended.

Type designations	TP1 - _ _ _ -101- 6 _ _ - _ _ _ CANopen-Interface	
Electrical Data		
Measured variables	Position and speed	
Electrical measuring range (dimension B)	0050 up to 4250	mm
Measuring range speed	0 ... 10	ms ⁻¹
Number of position markers	1 / 2	
Output signal / protocol	CANopen protocol to CiA DS-301 V4.2.0, Device profile DS-406 V3.2 Encoder class C2, LSS services to CiA DS-305 V1.1.2	
Programmable parameters	Position, speed, cams, working areas, temperature, node-ID, baud rate	
Node-ID	1 ... 127 (default 127)	
Baud rate	10 ... 1000	kBaud
Resolution		
Position	1	5
Speed	0.1	0.5
		µm mms ⁻¹
Update rate	1 (Internal measuring rate depends on measuring length)	
Absolute linearity *	< 250 mm ≤ ±25 µm < 750 mm ≤ ±30 µm < 1000 mm ≤ ±50 µm < 2500 mm ≤ ±80 µm up to 4250 mm ≤ ±120 µm	
Tolerance of electr. zero point	0.5	±mm
Reproducibility (rounded to resolution)	≤ 6	µm
Hysteresis (rounded to resolution)	≤ 4	µm
Temperature error	≤ 15 (min. 0.01 mm/K)	ppm/K
Supply voltage	24 (13 ... 34)	VDC
Supply voltage ripple	≤ 10	% V _{SS}
Current consumption	≤ 100	mA
Overvoltage protection	40 (permanent)	VDC
Polarity protection	Yes, up to supply voltage max.	
Short circuit protection	Yes (outputs vs. GND and supply voltage max.)	
Insulation resistance (500 VDC)	≥ 10	MΩ
Bus termination internal	no	
Environmental Data		
MTTF (DIN EN ISO 13849-1 parts count method, w/o load, wc)	25	Years
Functional safety	If you need assistance in using our products in safety-related systems, please contact us	
EMC compatibility	EN 61000-4-2 Electrostatic discharges (ESD) 4 kV, 8 kV EN 61000-4-3 Electromagnetic fields 10 V/m EN 61000-4-4 Electrical fast transients (burst) 1 kV EN 61000-4-6 Conducted disturbances, induced by RF-fields 10 V eff. EN 55016-2-3 Noise radiation class B	

*) Measured with resolution 1 µm.
At resolution > 1 µm the permissible linearity error is increased by the resolution.



Pin assignment

Connector code 106	Connector code 105	CANopen interface
Pin 1	Pin 3	CAN_SHLD ***
Pin 2	Pin 5	Supply voltage
Pin 3	Pin 6	GND
Pin 4	Pin 2	CAN_H
Pin 5	Pin 1	CAN_L
-	Pin 4	n/a

***) CAN_SHLD: CAN-shield, internally connected to housing

Type designations	TP1 - - - - -1 - - - - A - - - - - IO-Link		
Electrical Data			
Measured variables	Position, speed and temperature		
Electrical measuring range (dimension B)	0050 up to 4250		mm
Number of position markers	1 up to 3		
Output signal / protocol	IO-Link Spec V1.1 to IEC 61131-9, Smart Sensor Profil (V1.0 compatible)		
Programmable parameters	Zero point offset, resolution, averaging		
Configurability	Number of position markers and measured variables (position, speed). All product versions listed in the ordering specifications (e.g. 1 x position) are also configurable by the customer (e.g. into 2 x position and 2 x speed)		
Transfer rate	COM 3 (230.4 kB)		
Frame type	2.2		
Minimum cycle time	1		ms
Update rate	1 (Internal measuring rate depends on measuring length)		kHz
Resolution			
Position	1	5	µm
Speed	0.1	0.5	mms ⁻¹
Reproducibility (rounded to resolution)	≤ 6		µm
Hysteresis (rounded to resolution)	≤ 4		µm
Absolute linearity *	< 250 mm ≤ ±25 µm < 750 mm ≤ ±30 µm < 1000 mm ≤ ±50 µm < 2500 mm ≤ ±80 µm up to 4250 mm ≤ ±120 µm		
Zero point tolerance	0.5		±mm
Temperature error	≤ 15 (min. 0,01 mm/K)		±ppm/K
Supply voltage	24 (18 ... 30)		VDC
Ripple	max. 10		%V _{ss}
Current consumption (w/o load)	≤ 100		mA
Reverse voltage	yes, up to supply voltage max.		
Short circuit protection	yes (C/Q vs. GND and supply voltage)		
Overvoltage protection	36 (permanent)		VDC
Insulation resistance (500 VDC)	≥ 10		MΩ
Environmental Data			
MTTF (DIN EN ISO 13849-1 parts count method, w/o load, wc)	> 28.6		Years
Functional safety	If you need assistance in using our products in safety-related systems, please contact us		
EMC compatibility	EN 61000-4-2 Electrostatic discharges (ESD) 4 kV, 8 kV EN 61000-4-3 Electromagnetic fields 10 V/m EN 61000-4-4 Electrical fast transients (burst) 1 kV EN 61000-4-6 Conducted disturbances, induced by RF-fields 10 V eff. EN 55016-2-3 Noise radiation class B		

*) Measured with resolution 1 µm.
At resolution > 1 µm the permissible linearity error is increased by the resolution.

Pin assignment

Connector M12 Code 107	Connector with cable (accessories)	IO-Link
PIN 1	BN	Supply voltage (L+)
PIN 2	WH	do not connect **
PIN 3	BU	GND (L-)
PIN 4	BK	C/Q

***) alternatively on GND

Ordering
Specifications



Ordering specifications

Preferred types printed in bold

Mechanical version
101: Profile design

Electrical Interfaces
6: CANopen-Interface
A: IO-Link

Interface parameters for CANopen 6 _ _

- 1: Resolution 5 µm, 1 x position and speed, 1 position marker fix**
- 3: Resolution 1 µm, 1 x position and speed, 1 position marker fix
- 5: Resolution 5 µm, 2 x position and speed, 2 position markers fix
- 6: Resolution 1 µm, 2 x position and speed, 2 position markers fix

Interface parameters for IO-Link A _ _

- 11: Resolution 5 µm, 1 x position, 1 position marker fix**
- 12: Resolution 5 µm, 1 x position and speed, 1 position marker fix**
- 13: Resolution 5 µm, 2 x position, 2 position markers fix
- 14: Resolution 5 µm, 2 x position and speed, 2 position markers fix
- 15: Resolution 5 µm, 3 x position, 3 position markers fix
- 31: Resolution 1 µm, 1 x position, 1 position marker fix
- 32: Resolution 1 µm, 1 x position and speed, 1 position marker fix
- 33: Resolution 1 µm, 2 x position, 2 position markers fix
- 34: Resolution 1 µm, 2 x position and speed, 2 position markers fix
- 35: Resolution 1 µm, 3 x position, 3 position markers fix

Baudrate CANopen 6 _ _

- 1: Baud rate 1000 kBaud
- 2: Baud rate 800 kBaud
- 3: Baud rate 500 kBaud**
- 4: Baud rate 250 kBaud
- 5: Baud rate 125 kBaud
- 7: Baud rate 50 kBaud
- 8: Baud rate 20 kBaud
- 9: Baud rate 10 kBaud

Electrical Connection CANopen

- 105: Connector M16x0.75 (IEC130-9), 6-pin
- 106: Connector M12x1, 5-pin**

Electrical Connection IO-Link

- 107: Connector M12x1, 4-pin**

T P 1 - 0 8 0 0 - 1 0 1 - 6 1 3 - 1 0 6

Series

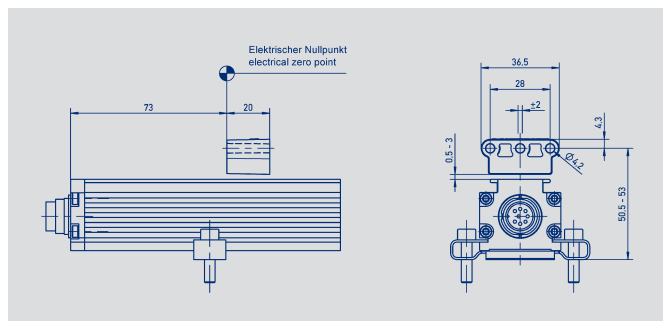
Electrical measuring range

Standard lengths 0050 up to 4250 mm

0050 up to 0500 mm in 25 mm-steps, 0500 up to 1000 mm in 50 mm-steps,
1000 up to 2000 mm in 100 mm-steps, 2000 up to 4250 mm in 250 mm-steps.
Other lengths on request

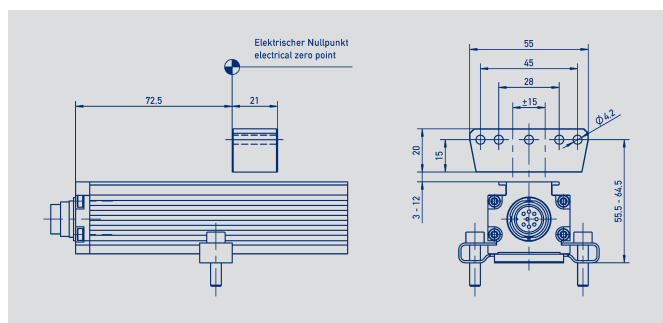
Important: Avoid equalizing currents in the cable shield caused by potential differences.
Only CANopen: Twisted pair cable (STP) is recommended.

Position Marker



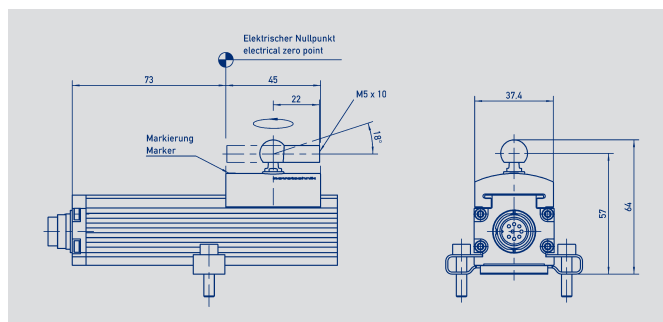
Floating position marker

Material	PA6 GF254
Working distance	0.5 ... 3 mm
Weight	approx. 10 g
P/N 005693, Z-TP1-P06	



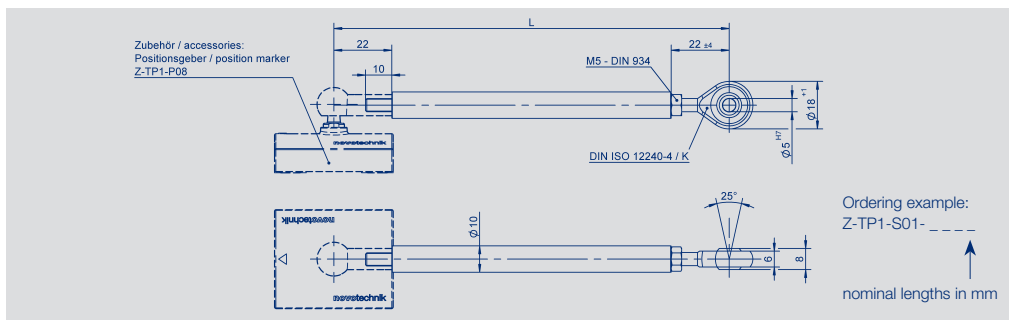
Floating position marker for large distances

Material	POM
Working distance	3 ... 12 mm
Weight	approx. 40 g
P/N 005694, Z-TP1-P07	



Guided position marker

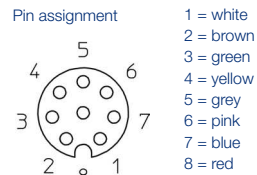
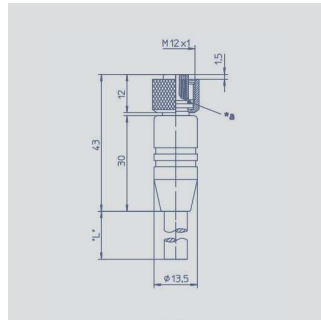
Material	POM
Weight	approx. 30 g
P/N 005695, Z-TP1-P08	



Actuating rod for guided position marker Z-TP1-P08

Material	Aluminum
Weight	approx. 150 g
Standard-nominal lengths (mm)	0075, 0100, 0125, 0150, 0200, 0250, 0300, 0350, 0400, 0450, 0500, 0600, 0800, 1000, 1500, 2000
Z-TP1-S01- _____	

Connector System M12

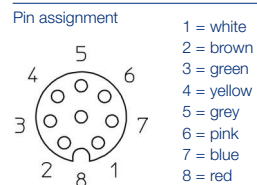
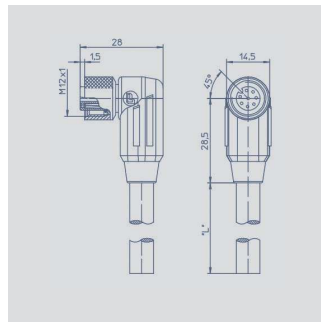


M12x1 Mating female connector, 8-pin, straight, A-coded, with molded cable, shielded, IP67, open ended

Connector housing Plastic PA
Cable sheath PUR; Ø = max. 8 mm
-25 °C...+80 °C (moved)
-50 °C...+80 °C (fixed)

Wires PP, 0.25 mm²

Length	Type	P/N
2 m	EEM 33-86	005629
5 m	EEM 33-90	005635
10 m	EEM 33-92	005637

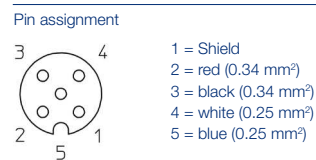
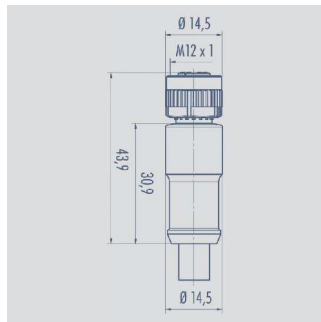


M12x1 Mating female connector, 8-pin, angled, A-coded, with molded cable, shielded, IP67, open ended

Connector housing Plastic PA
Cable sheath PUR; Ø = max. 8 mm,
-25 °C...+80 °C (moved)
-50 °C...+80 °C (fixed)

Wires PP, 0.25 mm²

Length	Type	P/N
2 m	EEM 33-87	005630
5 m	EEM 33-91	005636
10 m	EEM 33-93	005638

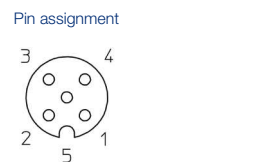
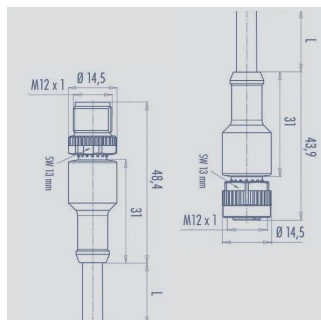


M12x1 Mating female connector, 5-pin, straight, A-coded, with molded cable, IP67, shielded, open ended, CAN-bus

Connector housing PUR
Cable sheath PUR Ø = max. 7.2 mm,
-25 °C...+85 °C (moved)

Wires PP 2x 0.25 mm²
+ 2 x 0.34 mm²

Length	Type	P/N
2 m	EEM 33-41	056141
5 m	EEM 33-42	056142
10 m	EEM 33-43	056143

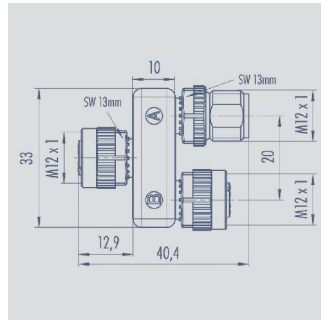


M12x1 Mating female connector, 5-pin, straight, A-coded, with molded cable, IP68, shielded, CAN-bus

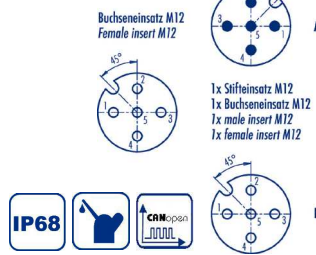
Connector housing PUR
Cable sheath PUR; Ø 7.2 mm
-25 °C... +85 °C (fixed)

Length	Type	P/N
5 m	EEM 33-44	056144

Connector System M12



Pin assignment

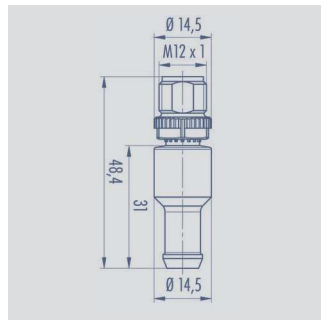


T-connector M12x1, 5-pin, A-coded, IP68, 1:1 connection, female - male - female, CAN-bus

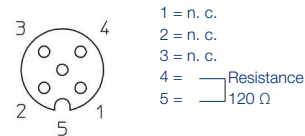
Connector housing PUR

Temperature range -25 °C... +85 °C

Type EEM 33-45, P/N 056145



Pin assignment

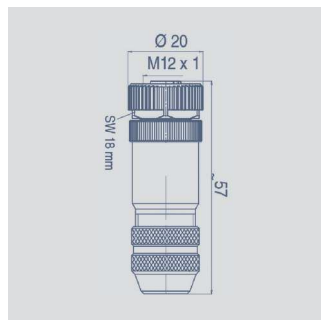


Terminating resistor M12x1, 5-pin, A-coded, IP67, 120 Ω resistance, CAN-bus

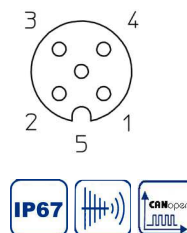
Connector housing PUR

Temperature range -25 °C... +85 °C

Type EEM 33-47, P/N 056147



Pin assignment



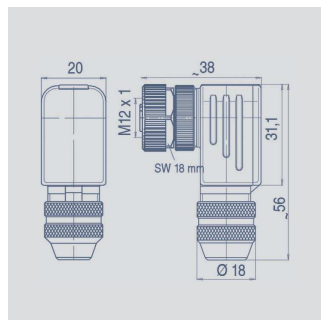
M12x1 Mating female connector, 5-pin, straight, A-coded, with coupling nut, screw termination, IP67, shieldable, CAN-bus

Connector housing Metal

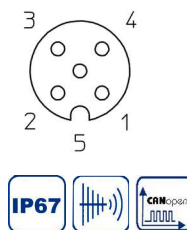
-40 °C...+85 °C

For wire gauge 6...8 mm,
max. 0.75 mm²

Type EEM 33-73, P/N 005645



Pin assignment



M12x1 Mating female connector, 5-pin, angled, A-coded, with coupling nut, screw termination, IP67, shieldable, CAN-bus

Connector housing Metal

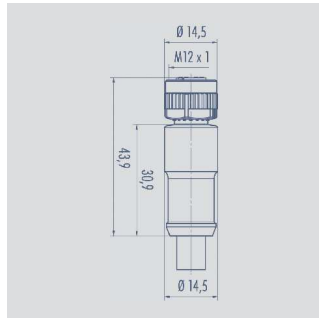
-40 °C...+85 °C

For wire gauge 6...8 mm,
max. 0.75 mm²

Type EEM 33-75, P/N 005646

It is possible to turn and fix the contact carrier in 90° positions.

Connector System M12

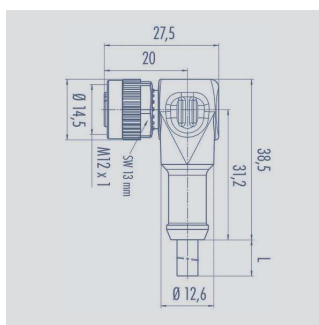


Pin assignment



M12x1 Mating female connector, 4-pin, straight, A-coded, with molded cable, not shielded, IP67, open ended

Connector housing	Plastic PA	
Cable sheath	PUR; $\varnothing = \text{max. } 6 \text{ mm}$, -40 °C...+85 °C (fixed)	
Wires	PP, 0.34 mm ²	
Length	Type	P/N
2 m	EEM 33-35	056135
5 m	EEM 33-36	056136
10 m	EEM 33-37	056137

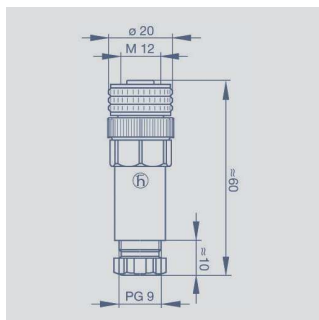


Pin assignment

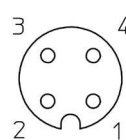


M12x1 Mating female connector, 4-pin, angled, A-coded, with molded cable, not shielded, IP67, open ended

Connector housing	Plastic PA	
Cable sheath	PUR; $\varnothing = \text{max. } 6 \text{ mm}$, -40 °C...+85 °C (fixed)	
Wires	PP, 0.34 mm ²	
Length	Type	P/N
2 m	EEM 33-38	056138
5 m	EEM 33-39	056139
10 m	EEM 33-40	056140

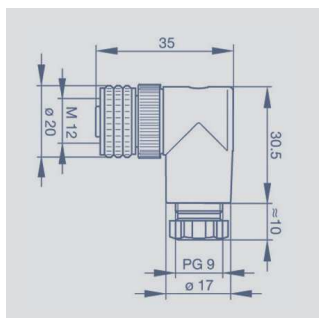


Pin assignment

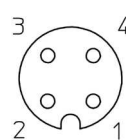


M12x1 Mating female connector, 4-pin, straight, A-coded, with coupling nut, screw termination, IP67, not shielded

Connector housing	Plastic PBT -25 °C...+90 °C	
For wire gauge	6...8 mm, max. 0.75 mm ²	
Type	EEM 33-88, P/N 005633	



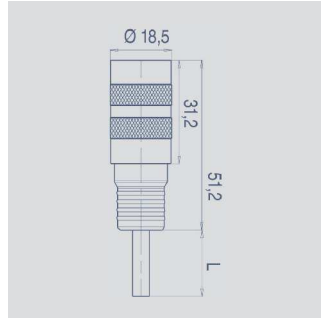
Pin assignment



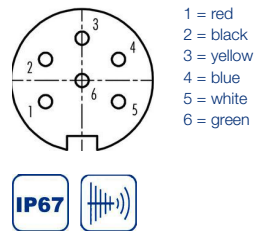
M12x1 Mating female connector, 4-pin, angled, A-coded, with coupling nut, screw termination, IP67, not shielded

Connector housing	Plastic PBT -25 °C...+90 °C	
For wire gauge	6...8 mm, max. 0.75 mm ²	
Type	EEM 33-89, P/N 005634	

Connector System M16



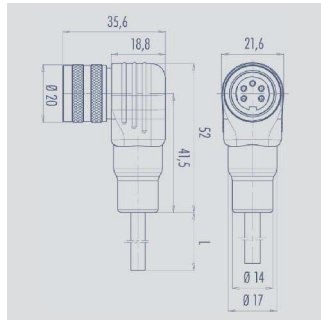
Pin assignment



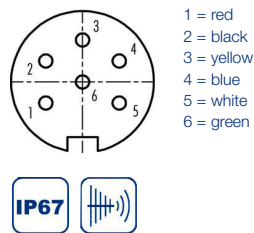
M16x0.75 Mating female connector, 6-pin, straight, with molded cable, 2 m length, shielded, IP67, open ended

Connector housing	PUR
Cable sheath	PUR; Ø max. 6 mm, -5...+70 °C (moved) -20...+70 °C (fixed)
Wires	PVC, 6 x 0.25 mm ²
Type EEM 33-26, P/N 056126	

This coupling can be used in combination with 5-pin M16 connectors. Than „pin 6 / green“ is open.



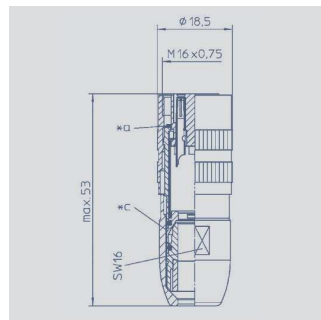
Pin assignment



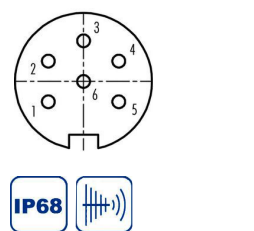
M16x0.75 Mating female connector, 6-pin, angled, with molded cable, 2 m length, shielded, IP67, open ended

Connector housing	PUR
Cable sheath	PUR; Ø max. 6 mm, -5...+70 °C (moved) -20...+70 °C (fixed)
Wires	PVC, 6 x 0.25 mm ²
Type EEM 33-27, P/N 056127	

This coupling can be used in combination with 5-pin M16 connectors. Than „pin 6 / green“ is open.

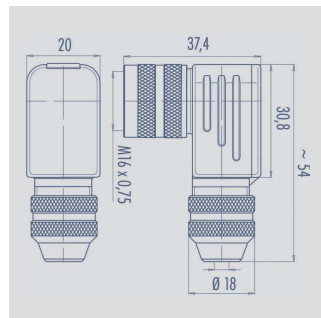


Pin assignment

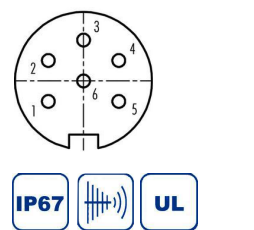


M16x0.75 Mating female connector, 6-pin, straight, with coupling nut, solder terminal, IP68, shielded

Connector housing	CuZn (Brass, nickel plated) -40 °C... +85 °C
For wire gauge	4...8 mm, max. 0.75 mm ²
Type EEM 33-82, P/N 005639	



Pin assignment

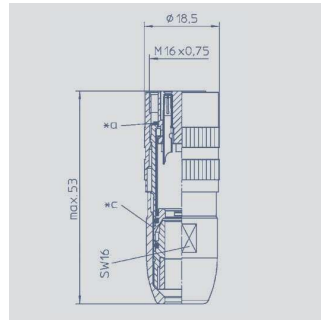


M16x0.75 Mating female connector, 6-pin, angled, with coupling nut, solder terminal, IP67, shielded

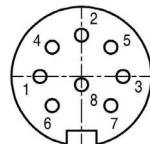
Connector housing	CuZn (Brass, nickel plated) -40 °C... +95 °C
For wire gauge	6...8 mm, PG 9 max. 0.75 mm ²
Type EEM 33-94, P/N 005648	

Novotechnik U.S., Inc.
155 Northboro Road
Southborough, MA 01772
Phone 508 485 2244
Fax 508 485 2430
info@novotechnik.com
www.novotechnik.com

© 09/2017
Printed in Germany.



Pin assignment

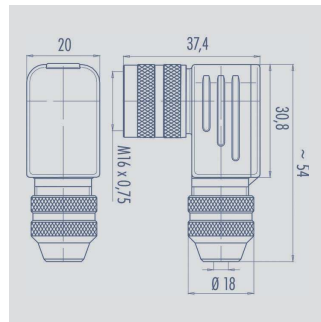


M16x0.75 Mating female connector, 8-pin, straight, with coupling nut, solder terminal, IP68, shielded

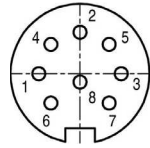
Connector housing	CuZn (Brass, nickel plated) -40 °C... +85 °C
-------------------	--

For wire gauge	4...8 mm, max. 0.75 mm ²
----------------	--

Type EEM 33-84, P/N 005627



Pin assignment



M16x0.75 Mating female connector, 8-pin, angled, with coupling nut, solder terminal, IP67, shielded

Connector housing	CuZn (Brass, nickel plated) -40 °C... +95 °C
-------------------	--

For wire gauge	6...8 mm, PG 9 max. 0.75 mm ²
----------------	---

Type EEM 33-85, P/N 005628

IP67 Protection class IP67 to DIN EN 60529

IP68 Protection class IP68 to DIN EN 60529

CANopen CAN-bus

Very good Electromagnetic Compatibility (EMC) and shield systems

Very good resistance to oils, coolants und lubricants

UL UL - approved

Suited for applications in dragchains

Note: The protection class is valid only in locked position with its plugs.

The application of these products in harsh environments must be checked in particular cases.

The specifications contained in our datasheets are intended solely for informational purposes. The documented specification values are based on ideal operational and environmental conditions and can vary significantly depending on the actual customer application. Using our products at or close to one or more of the specified performance ranges can lead to limitations regarding other performance parameters. It is therefore necessary that the end user verifies relevant performance parameters in the intended application. We reserve the right to change product specifications without notice.